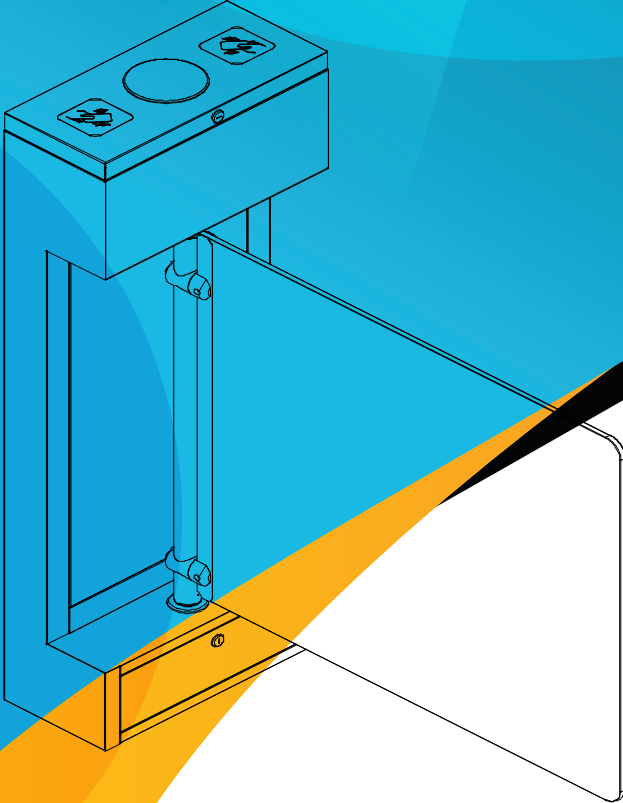


Perkotech

"Everything is under control"

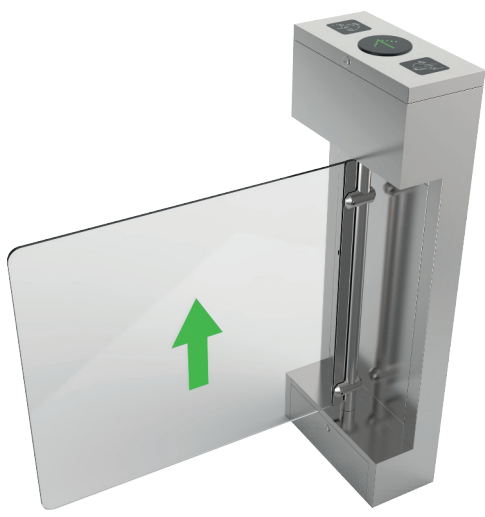


AVAX[®]com.tr
C90 Swing Gate Turnstile

PERKOTEK TEKNOLOJİ A.Ş.

📍 Mahmutbey Mah. Ordu Cad. No:29 Perkotech Plaza/Bagcilar/Istanbul
🌐 www.perkotech.com ✉ sales@perkotech.com ☎ 0 850 811 8000

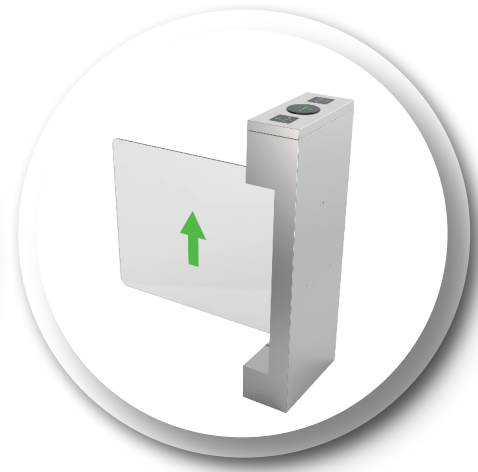
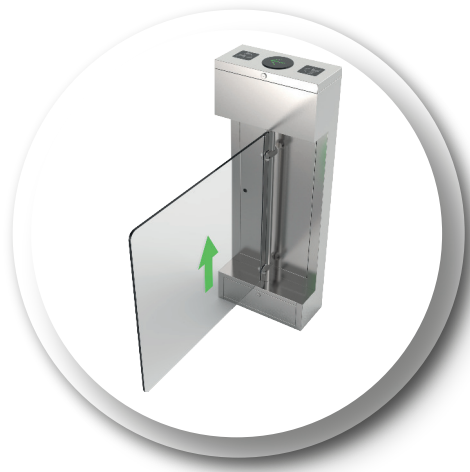
Avax C90 Swing Gate Turnstile



Swing Gate Turnstile with plexy glass has a compact design and saves space. It can run in combination with access control systems or can be controlled by remote control or button if desired. The thick plexy arm is impact resistant and does not break easily.

It has a powerful motor that can handle the weight of the arm and has been tested for opening and closing 3 million times. It is ideal for intensive use and adds elegance to the area that it is used with its decorative appearance. When it is opened, it leaves a clear passing area of 90 cm and can easily pass disabled vehicles such as wheelchairs. It can be operated combined with tripod and quick pass turnstiles nearby them .

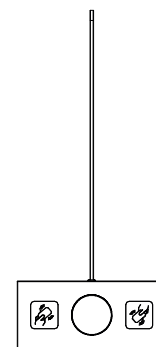
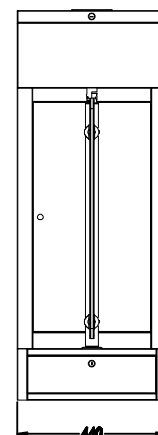
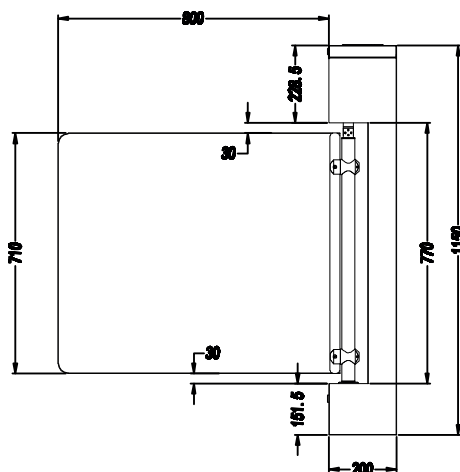
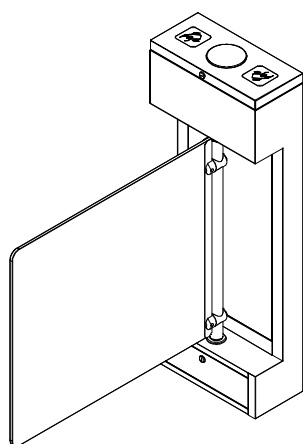
It has two plastic covers on it and allows you to easily install the access control device. The opening and closing times of the swing gate turnstile door can be adjusted. Suitable for intensive passings, runs quiet and fast.



Technical Specifications

Body	AISI 304 quality stainless steel
Arms	Plexy glass
Passing Distance	50-55cm
Tripod Lockout	Allows passing only when the solenoid is pulled
Direction of Passing	It can be adjusted as Entry only, Exit only, or passing from both directions as desired
Passing Time	Adjustable as required
Warning for pass	Provides visual and audible warnings
Passing Information	NC: Normally closed or NO: Normally open
Passing Speed	~ 70 people / minute
Passing Control	Single pass in the set direction, two-way single pass, free pass, always locked or released
Operating voltage	220/240 V
Power consumption	24 W
Frequency	50-60 Hz
Area of Use	Indoor and Outdoor
Operating temperature	-25 to +70 Degrees
Test Result	Tested 3 Million passes
Weight	Approx. 35 kg
Installed Dimensions	440 x 200 x 1150 mm
Access Control	It can run together combined with Fingerprint, face recognition, vein recognition and card readers by receiving the signal.
Certifications	ISO, CE and Warranty certificate

Technical Drawing

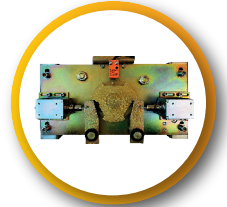


Advantages



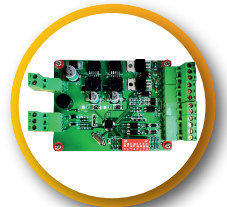
Arms with inner and outer parts are made of 304 quality stainless steel and are durable and long lasting.

Patented lubrication system minimizes the need for maintenance.



The most effective closing time can be set as desired with adjustable closing time after opening for VIP turnstile passing

It has high quality PCB and electronic components. Runs without being affected by environmental electro-magnetic noise



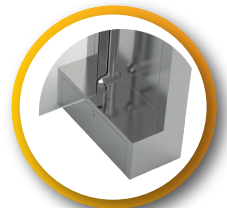
Ergonomic plexy design facilitates face recognition, fingerprint reading and card reader installation.

It eliminates confusion by guiding with bright LED signs in the direction of passing.



Ideal for indoor and outdoor use.

Thanks to the horizontal surface at the mounting point on the ground, turnstile runs without shaking during passes.



Usage Areas

- | | | | | |
|--------------------|-------------------|-----------------------|------------------|-----------------------------|
| ✓ Factories | ✓ Airports | ✓ Public institutions | ✓ Plazas | ✓ Smart Buildings |
| ✓ Hospitals | ✓ Logistics Areas | ✓ Chain Stores | ✓ Residences | ✓ Dams |
| ✓ Business centers | ✓ Academies | ✓ Hotels | ✓ Military Areas | ✓ Shopping malls |
| ✓ Dining Halls | ✓ Gyms | ✓ Activity Areas | ✓ Fair Entries | ✓ Public Transport Stations |