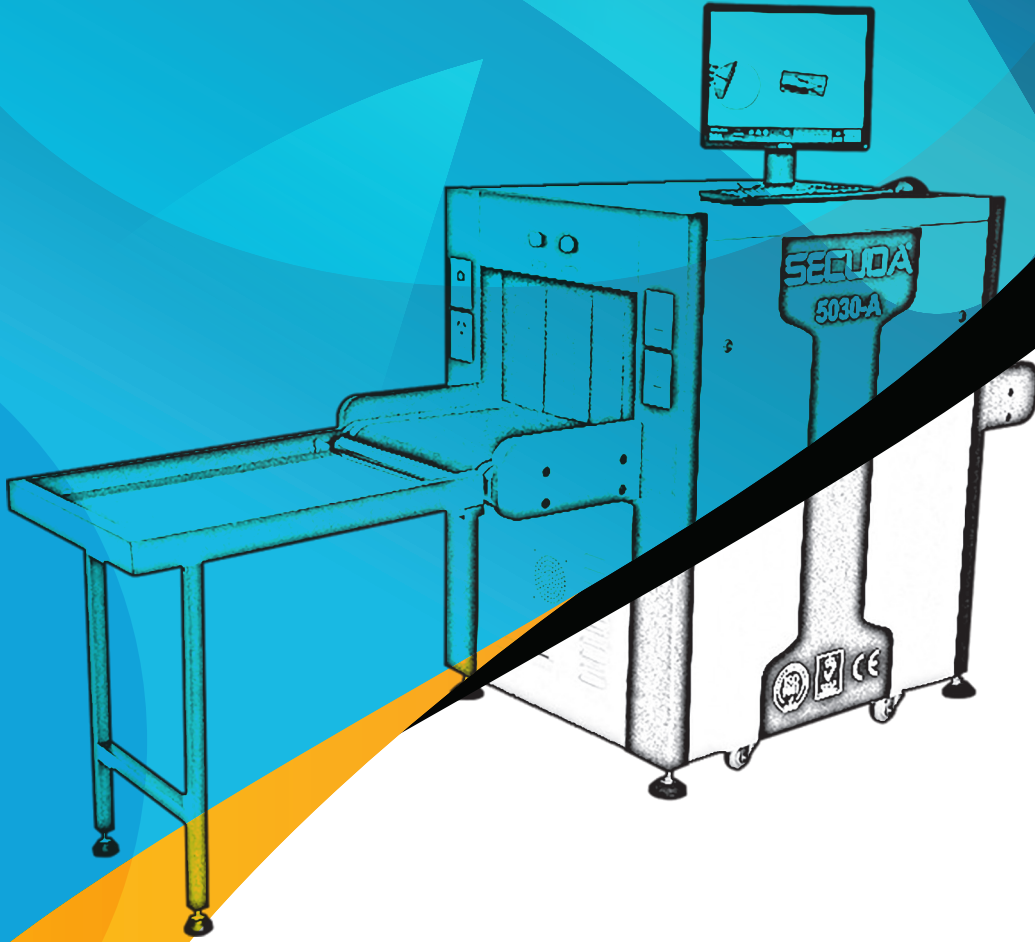


Perkotec

"Everything is Under Control"



SECUDA®

5030A X-RAY DEVICE

PERKOTEK TEKNOLOJI A.S.

📍 Mahmutbey Mah. Ordu Cad. No:29 Perkotec Plaza/Bagcilar/Istanbul

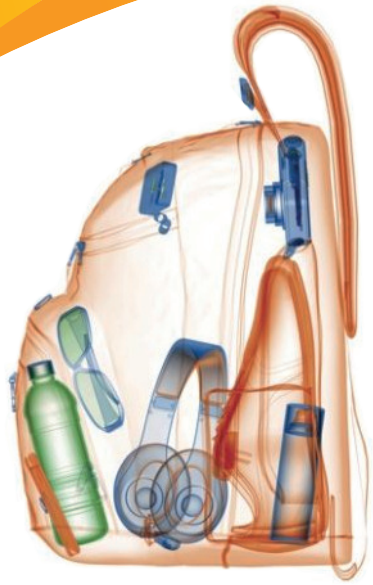
🌐 www.perkotec.com ✉ sales@perkotec.com ☎ 0 850 811 8000

SECUDA 5030A X-RAY DEVICE



Thanks to its high resolution feature , produced for precision searching ,and with a tunnel length of 500 mm x 300 mm, you can display the content images of bag, suitcase, package ,envelope and SECUDA 5030A X-Ray machine is suitable for checking all kinds of passing baggage . By means of transmitting X Rays into the baggage , it immediately reflects dangerous and threatening factors on the screen. It seperates Organic -inorganic metals and shows them in different colors.

It can show the inside of even 14 mm thickness steel bag without any need to open it. XRAY Generator surroundings and cabin interior surfaces are insulated with lead plates against radiation leakage. The black curtains are made of lead mixture which are located in the direction of entry and exit of the luggage and protects the health of the Xray device using operator and passing people from negative factors .It has been manufactured according to the standards of Turkey Atomic Energy Agency and received the accreditation.



ORGANIC

Atomic numbers from 1 to 10 are called organic compounds and are shown in orange. Examples of organic compounds; paper, textiles, wood and water.

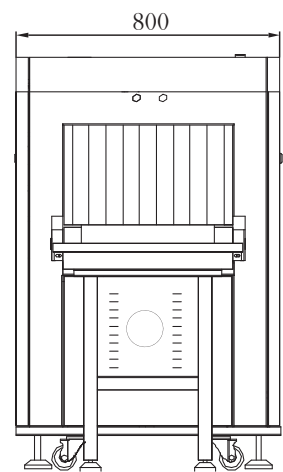
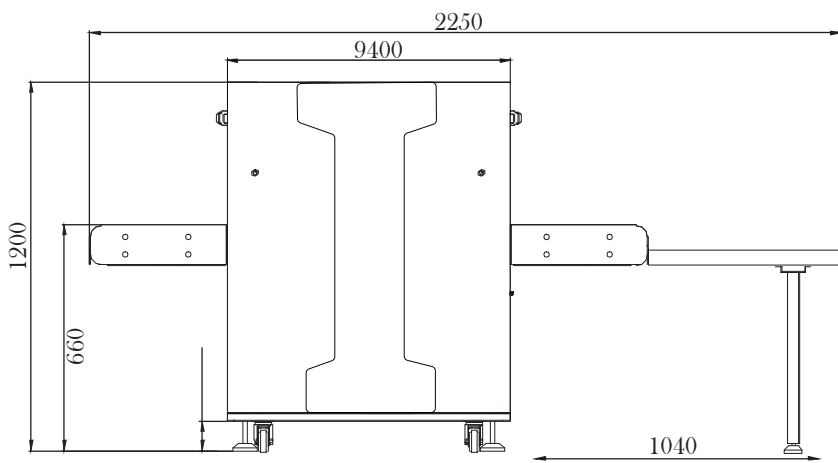
INORGANIC

:Those with an atomic number greater than 18 are referred to as inorganic and indicated with blue. Examples of inorganic substances are titanium, chromium, iron, steel, tin, lead, copper, silver, gold.

MIXTURE

An atomic number between 10 and 18 is called a mixture and is shown in green.

Technical Drawing



Technical Specifications

General Definitions

| | |
|-----------------------|---|
| Tunnel Size | 500 mm (Width) x 300 mm (Height) |
| Weight | 400 kg |
| Conveyor Belt Speed | 0.22m / sec |
| Conveyor Maximum Load | 170 kg |
| Dose Per Examination | <2.9µGy / hour |
| Resolution | <0.1 mm metal wire |
| Penetration | 14 mm steel |
| Film Security | Guaranteed ISO1600 Film |
| X-ray Leakage | <0.05 µGy / hour (5 cm from the external housing) |

X-Ray Generator

| | |
|----------------------------------|--------------------|
| Energy | Single Energy |
| Direct Production | Up |
| Angle Production | 80 degrees |
| Anode Voltage | 80 Kv |
| Anode Power | 0.4 Up |
| Cooling / Duty time (Duty cycle) | Oil Cooling / 100% |

Display System

| | |
|--------------------------|---|
| X-ray Sensor | L-shaped photodiode array (mono energy), 12bit depth |
| Monitor | High definition color, LCD compatible, 19inch Philips brand |
| Image processing | Edge enhancement, image enhancement, image illumination, darkening reduction, image return , image retrieval. |
| Image Gray Level | 4096 |
| Image Maximum Resolution | 1024 x 1280 pixels. |
| Image processing | 24bit real time processing. |
| Software | It can display organic and inorganic materials in different colors with its colored software. |

Usage Areas

- ✓ Factories
- ✓ Prisons
- ✓ Business centers
- ✓ Dining Halls
- ✓ Airports
- ✓ Logistics Areas
- ✓ Academies
- ✓ Gyms
- ✓ Public institutions
- ✓ Police Stations
- ✓ Hotels
- ✓ Activity Areas
- ✓ Stadiums
- ✓ Residences
- ✓ Military Areas
- ✓ Fair Entries
- ✓ Smart Buildings
- ✓ Dams
- ✓ Shopping malls
- ✓ Public Transport Stations