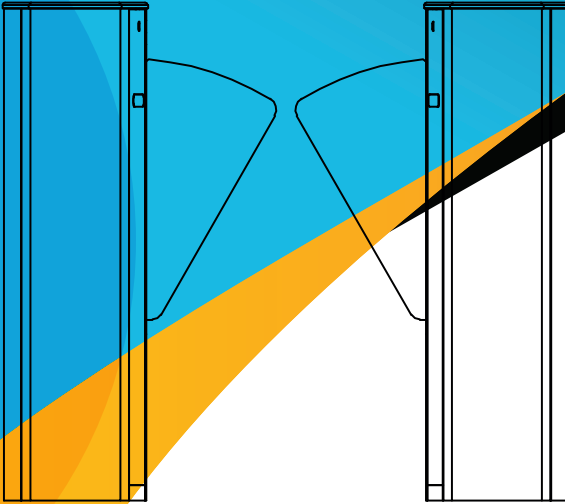


# Perkotek


*"Everything is under control"*



## AVAX<sup>®</sup> com.tr

SG500 SPEED GATE TURNSTILE

### PERKOTEK TEKNOLOJI A.S.

 Mahmutbey Mah. Ordu Cad. No:29 Perkotek Plaza/Bagcilar/Istanbul

 [www.perkotek.com](http://www.perkotek.com)  [sales@perkotek.com](mailto:sales@perkotek.com)  0 850 811 8000

## Avax SG500 SPEED GATE TURNSTILE



Avax SG500 Speed Gate Turnstile is designed to be used in fast and intensive visitor-staff entrances, such as banks and holdings where luxury and prestige stand out. With Avax SG500 Rapid Transit Turnstile, architects and decorators have been given the opportunity to make a wide variety of super models.

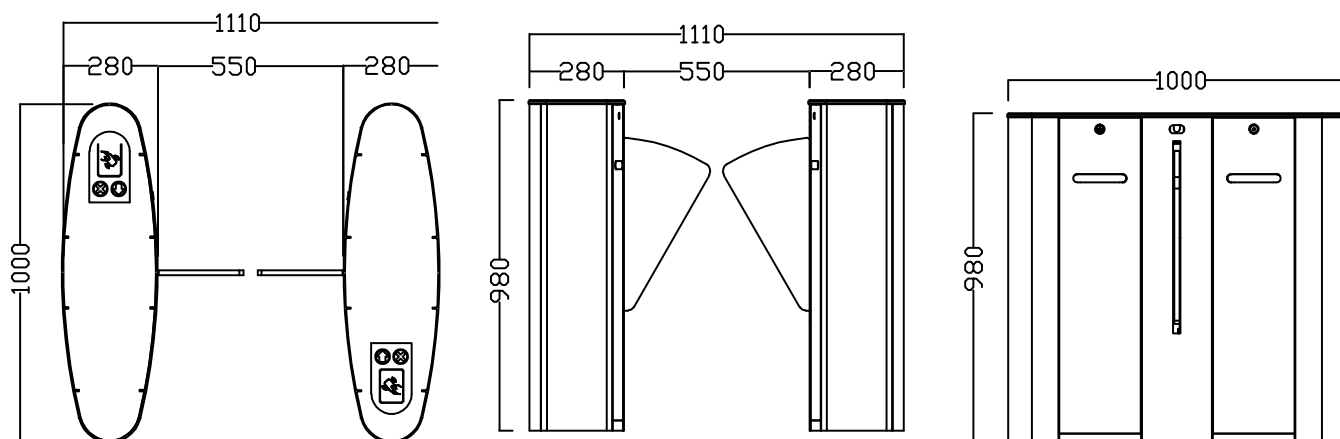
Avax SG500 Speed Gate Turnstile forms a corridor. In the middle of this corridor there is a curtain / wing made from the plexy-glass that prevents passing . When the visitor swipe the card, this curtain / wing opens. The sensor detectors in the corridor allow the card reading person to pass and while the visitor is passing through, if any other person behind tries to pass without swiping the card, it closes the curtain/wing suddenly and gives alarm sound. However, if there will be a danger to the person in case of a leaking attempt /forbidden pass, the wing does not close but the alarm sounds and warns the security.



## Technical Specifications

Casing / Body	AISI 304 quality stainless steel
Arms	Plexy glass
Passing Distance	50-55cm
Passing Direction	It can be adjusted as Entry only, Exit only, or passing from both directions as desired
Passing Time	Adjustable as required
Warning for Pass	Provides visual and audible warnings
Passing Information	NC: Normally closed or NO: Normally open
Passing Speed	~ 70 people / minute
Passing Control	Single pass in the set direction, two-way single pass, free pass, always locked or released
Operating voltage	220/240 V
Power consumption	24 W
Frequency	50-60 Hz
Area of Use	Indoor Environment
Operating temperature	25 to +70 Degrees
Test Result	Tested 3 Million passes
Weight	Approx. 80 kg
Installed Dimensions	980 x 280 x 1000mm
Access Control	It can run together as combined with Fingerprint, face recognition, vein recognition and card readers by receiving the signal.
Certifications	ISO, CE and Warranty certificate

## Technical Drawing

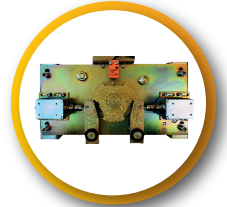


## Advantages



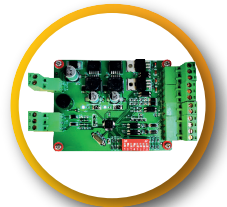
Arms with inner and outer parts are made of 304 quality stainless steel and are durable and long lasting.

Patented lubrication system minimizes the need for maintenance.



The most effective closing time and adjustable closing time can be set as desired after the speed gate turnstile will be opened

It has high quality PCB and electronic components. Runs without being affected by environmental electro-magnetic noise



Ergonomic plexy design facilitates face recognition, fingerprint reading and card reader installation.

It eliminates confusion by guiding with bright LED signs in the direction of passing



Suitable for indoor use.

As a result of the interior side is mounted on the floor, an elegant appearance is obtained.



## Usage Areas

- ✓ Factories
- ✓ Airports
- ✓ Public institutions
- ✓ Plazas
- ✓ Smart Buildings
- ✓ Hospitals
- ✓ Logistics Areas
- ✓ Chain Stores
- ✓ Residences
- ✓ Dams
- ✓ Business centers
- ✓ Academies
- ✓ Hotels
- ✓ Military Areas
- ✓ Shopping malls
- ✓ Dining Halls
- ✓ Gyms
- ✓ Activity Areas
- ✓ Fair Entries
- ✓ Public Transport Stations