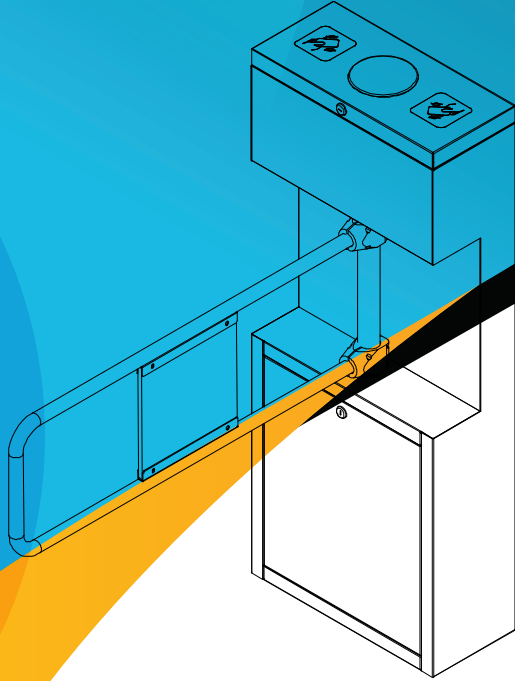



Perkotek

"Everything is under control"



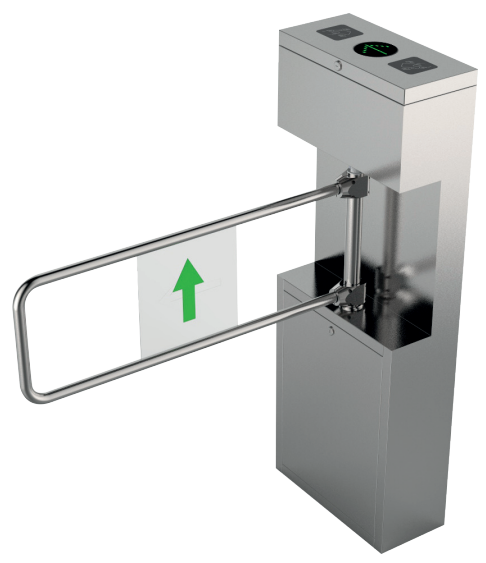
AVAX[®]
V90 Swing Gate Turnstile

PERKOTEK TEKNOLOJI A.S.

 Mahmutbey Mah. Ordu Cad. No:29 Perkotek Plaza/Bagcilar/Istanbul

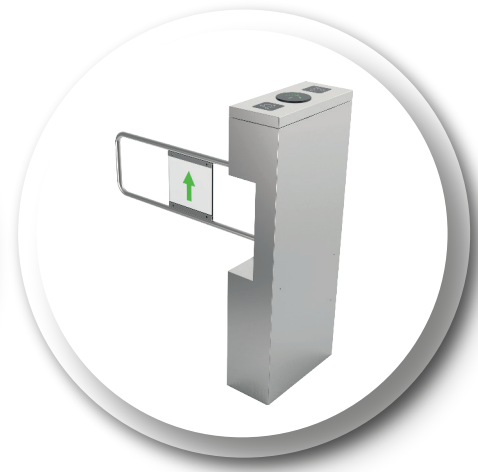
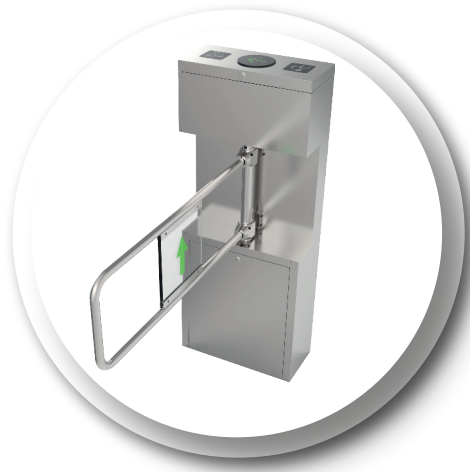
 www.perkotek.com  sales@perkotek.com  0 850 811 8000

Avax V90 Swing Gate Turnstile



Swing Gate turnstiles which are made of stainless steel, can provide authorized access to both directions. Superior performance engine can be operated by triggering from card reader, fingerprint reader, face recognition and vein recognition devices as well as it can be controlled by button or remote control. In case of a power failure, the arm drops to idle and allows free pass to desired direction. Disabled turnstiles which can provide access to 90 cm distance can be operated as combined with other tripod and speed gate turnstiles if desired.

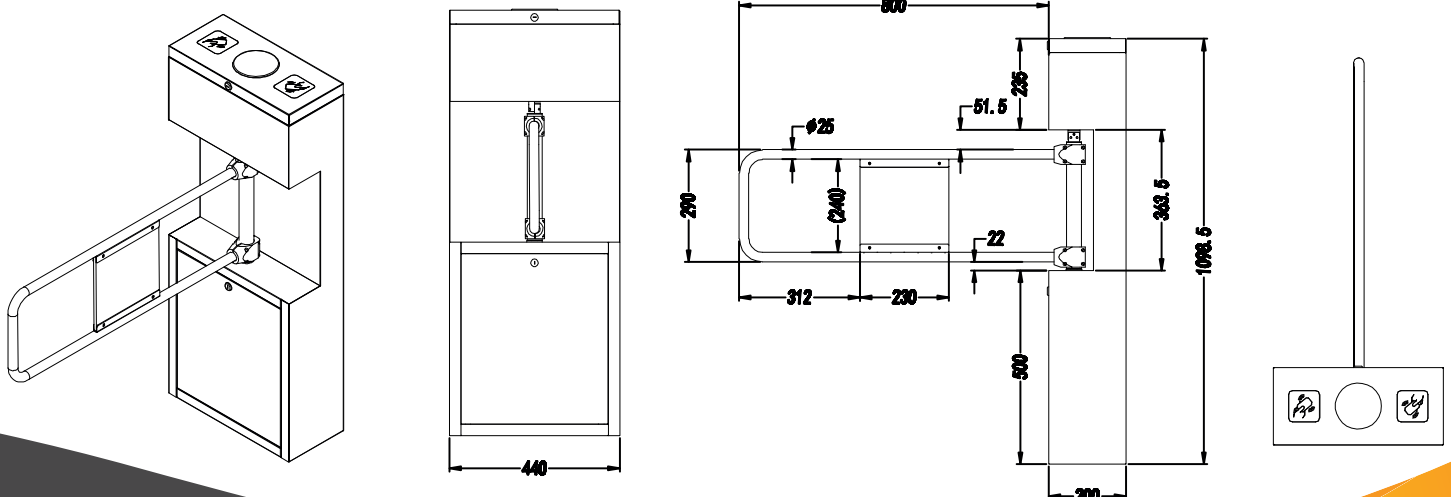
The most effective closing time can be set as desired with adjustable closing time after swing gate turnstile will be opened for passing. Suitable for intensive pass, runs as quiet and fast. It has two plastic covers on it and allows you to easily install the access control device.



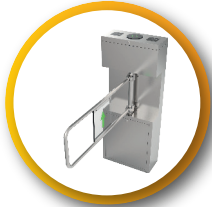
Technical Specifications

Body	AISI 304 quality stainless steel
Arms	AISI 304 quality stainless steel
Passing Distance	50-55cm
Tripod Lockout	Allows passing only when the solenoid is pulled
Direction of Passing	It can be adjusted as Entry only, Exit only, or passing from both directions as desired
Passing Time	Adjustable as required
Warning for pass	Provides visual and audible warnings
Passing Information	NC: Normally closed or NO: Normally open
Passing Speed	~ 70 people / minute
Passing Control	Single pass in the set direction, two-way single pass, free pass, always locked or released
Operating voltage	220/240 V
Power consumption	24 W
Frequency	50-60 Hz
Area of Use	Indoor and Outdoor
Operating temperature	-25 to +70 Degrees
Test Result	Tested 3 Million passes
Weight	Approx. 30 kg
Installed Dimensions	440 x 200 x 1098.5 mm
Access Control	It can run together as combined with Fingerprint, face recognition, vein recognition and card readers by receiving the signal. ISO, CE and Warranty certificate

Technical Drawing

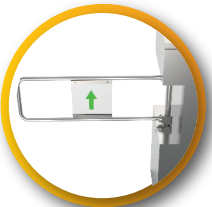
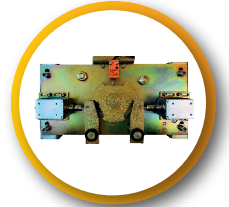


Advantages



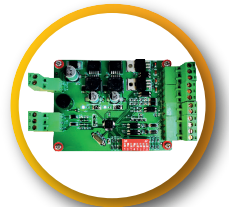
Arms with inner and outer parts are made of 304 quality stainless steel and are durable and long lasting.

Patented lubrication system minimizes the need for maintenance.



The most effective closing time can be set as desired with adjustable closing time after opening of VIP turnstile for passing

It has high quality PCB and electronic components. Runs without being affected by environmental electro-magnetic noise



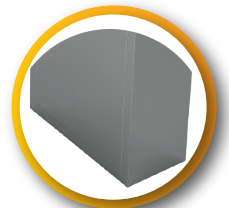
Ergonomic plexy design facilitates face recognition, fingerprint reading and card reader installation.

It eliminates confusion by guiding with bright LED signs in the direction of passing.



Ideal for indoor and outdoor use.

As a result of the interior side is mounted on the floor, an elegant appearance is obtained.



Usage Areas

- ✓ Factories
- ✓ Airports
- ✓ Public institutions
- ✓ Plazas
- ✓ Smart Buildings
- ✓ Hospitals
- ✓ Logistics Areas
- ✓ Chain Stores
- ✓ Residences
- ✓ Dams
- ✓ Business centers
- ✓ Academies
- ✓ Hotels
- ✓ Military Areas
- ✓ Shopping malls
- ✓ Dining Halls
- ✓ Gyms
- ✓ Activity Areas
- ✓ Fair Entries
- ✓ Public Transport Stations